

PIATTO PIZZA



CELPLAST

choose for the eggs safety



Celplast Srl

V.le dell'Artigianato 10 - Peraga di Vigonza (PD) - Italy
T. +39 049 8930662 - F. +39 049 8931762 - info@celplast.it



www.celplast.it



PIATTO PIZZA



CELPLAST

choose for the eggs safety

MATERIAL: PS

DIAMETRO: cm 33

certified according to ISO 22000 - food safety system



STORAGE

max. 1 year
max. +40°C / min. +10°C
Do NOT expose to sunlight

Pallet Dimensions:
mm > 1.200 x 800 x 2.370
inches > 47.24" x 31.50" x 93.31"

Layer structure: 3 Boxes/Layer



TRUCK LOADING

Pieces/Box	132
Box/Pallet	18
Pieces/Pallet	2.376
Pallets/Truck	33
Pieces/Truck	78.408



CONTAINER LOADING

	Boxes	Pieces
20"	348	45.936
40"	720	95.040
40 HC	840	110.880



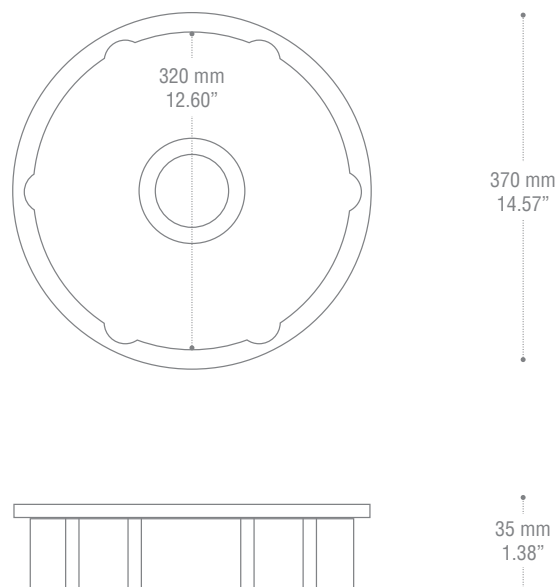
BOX DIMENSIONS

600 x 380 x 380 mm (L x W x H)
23.62" x 14.96" x 14.96" (L x W x H)

Pack Weight (kg)	0,05
Gross Weight (kg)	8.5
Volume Box (m ³)	0.087



PACK DIMENSIONS



ISO 22000 CERTIFICATION

Our company has the UNI EN ISO 22000: 2005 certificate. This quality certification for food traceability accredits and guarantees the safety of our products and their eligibility to be placed in the food market, thanks to their adaptation to the latest regulations governing the food distribution chain.